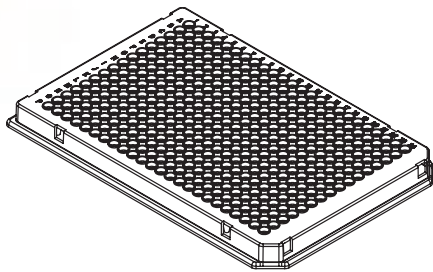




BioPointe
Scientific®

Technical Datasheet

Product:	PCR 384 Well Plates
Part No:	SPCP384-FS-2N
Comments:	Full-Skirt, Two Notches, Natural



Specification

Product:	<ul style="list-style-type: none"> • PCR 384 Well Plates
Dimension (LxWxD):	<ul style="list-style-type: none"> • 5.02 x 3.37 x 0.38mm
Colour, Optical Quality:	<ul style="list-style-type: none"> • Natural, virgin, PP, translucent
Graduation:	<ul style="list-style-type: none"> • No
Nominal Capacity:	<ul style="list-style-type: none"> • 50µl per well
Material / Characteristics:	<ul style="list-style-type: none"> • Natural Polypropylene (PP), free of heavy metal and softener • Autoclavable at maximum 121°C • Use temperature -20°C up to 90°C
Product Characteristics:	<ul style="list-style-type: none"> • Physiological harmless / non-toxic • Biologically inert • RNase, DNase, DNA and Pyrogen-free • Standard Surface
Packing:	<ul style="list-style-type: none"> • 10 Plates/Pack • 10 Packs/Case • Case specifications: 31 x 31 x 29cm; xxxkg; 0.03cu.m
Storage:	<ul style="list-style-type: none"> • In dry condition • Double boxes and master shipper cases originally closed • Storage temperature +4°C to maximum 25 °C
Conformities / Regulations:	<ul style="list-style-type: none"> • For Classic Thermal Cycling and Real-Time Cycling • Cycle Compatibility: ABI, MJ/Biorad, Eppendorf, Biometra, Corbett Research/ Qiagen, Esco, Flexi, MWG, Techne, Thermo/Hybaidd For full thermal cycler compatibility, refer to table in BioPointe catalog

t | +1 (909) 621-4585

f | +1 (909) 621-5653

e | support@biopointescientific.com

w | www.biopointescientific.com

BioPointe Scientific Inc, 260 York Place, Claremont, California 91711-4883, USA

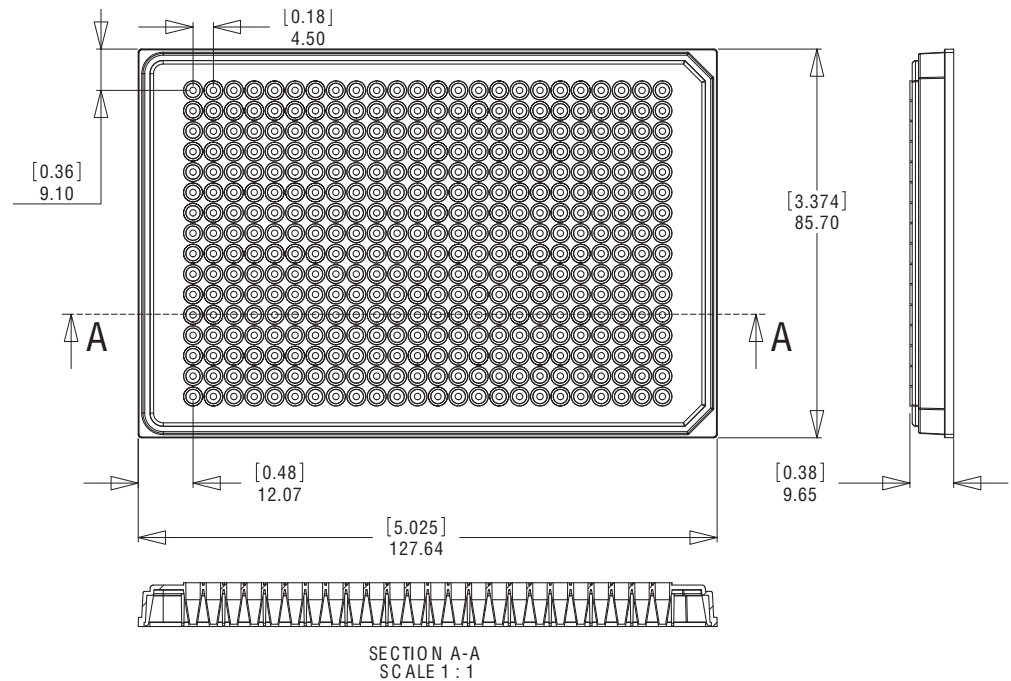


BioPointe
Scientific®

Technical Datasheet

PCR Plate, 384 well, Full Skirt, 2 Notches

Cat.No. SPCP384-FS-2N



Microplate Dimensions

Length at base plane	127.64 mm
Width at base plane	85.70 mm
Height overall	9.65 mm
Well diameter at opening	3.20 mm
Well volume	50 μ l
Well spacing	4.50 mm

Well offset

Left edge to well A1	12.19 mm
Top edge to well A1	9.14 mm
Left edge to H12	117.35 mm
Top edge to H12	77.72 mm

t | +1 (909) 621-4585

f | +1 (909) 621-5653

e | support@biopointescientific.com

w | www.biopointescientific.com

BioPointe Scientific Inc, 260 York Place, Claremont, California 91711-4883, USA